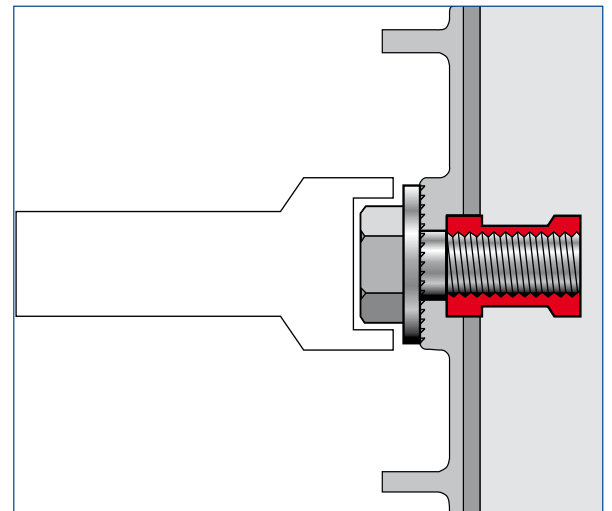
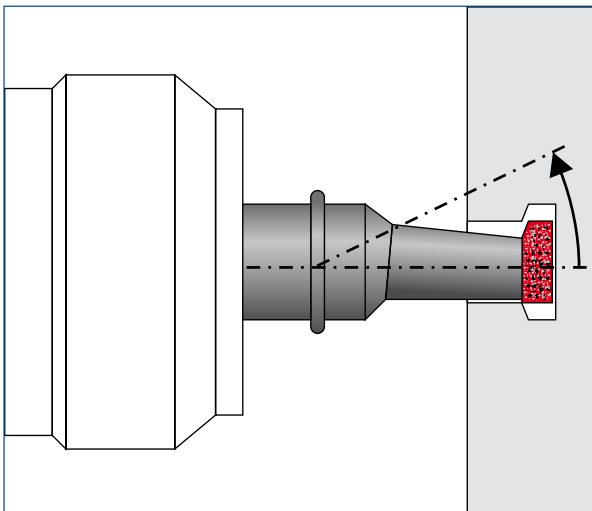
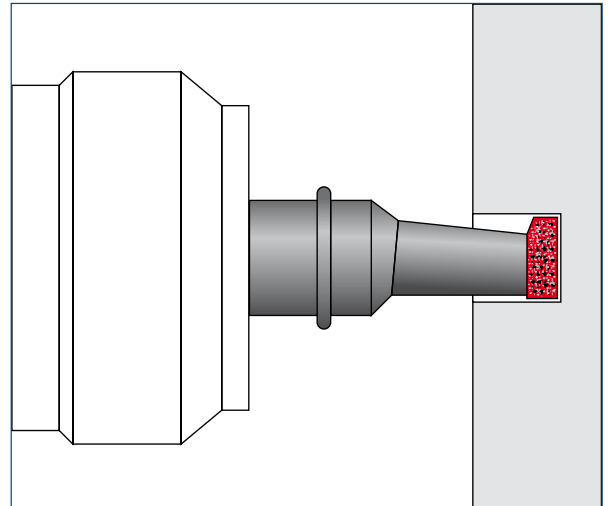
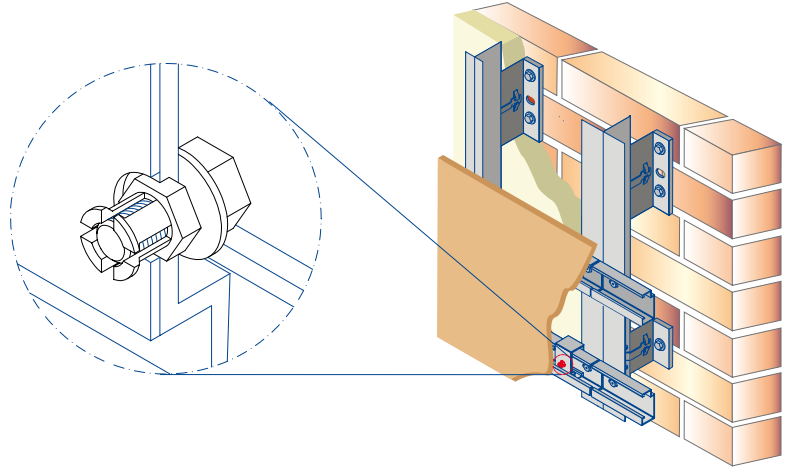


## THE SURE UC UNDERCUT ANCHOR SYSTEM

A stress free anchoring solution for use in ventilation facades and rain screens.

### Benefits:

- Completely hidden fixing
- Stress free anchoring
- Fewer design restrictions
- Thinner and lighter panels
- Easy to install
- Installation is non-dependant on weather and temperature
- Panels interchangeable and repairable
- More than 50 materials can be fixed, from ceramics/stone to plastics/HPL
- Long life and low maintenance



CONSTRUCTION PRODUCTS SOLUTIONS INTERNATIONAL LTD.

Unit 3, Haslemere Industrial Estate, Pig Lane, Bishop's Stortford, Hertfordshire. CM23 3HG. United Kingdom.  
 Tel: +44(0)1279 505 514 - Fax: +44(0)1279 755190 - e mail: info@surecps-group.com - www.surecps-group.com  
 Company Reg. 6969591 VAT Reg. GB 824 4246 40



Please always wear the appropriate safety and protective clothing when installing fixing and anchor products. Always observe the necessary Health & Safety guidelines.

© All text copyright. Above information is given as guidance only and should always be verified by a suitable engineer.

The above information is given in good faith, and may be subject to alteration at any time without prior notification.