



SURETWIST STEEL AND STAINLESS STEEL MULTI PURPOSE FIXING for securing timber or MDF to masonry.



Applications:

- ▢ Skirtings, dado and picture rails
- ▢ Door frames, window frames, cills
- ▢ Battens to support kitchen cupboards
- ▢ Battens to support plasterboard
- ▢ Battens to support vertical tiling
- ▢ High performance
- ▢ For securing all interior timbers to masonry
- ▢ For use in structural and non-structural situations
- ▢ Available in carbon and stainless steel
- ▢ Easy and quick to install
- ▢ Most economical and reliable method of securing timber and MDF to bricks, blocks and concrete in a number of applications

Range: SureTwist Plus and Steel 7

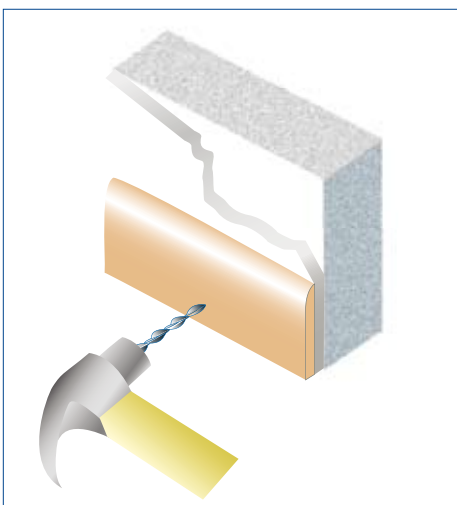
Steel 7 – 7mm x 75mm, x 100mm, x 125mm, and x 150mm

Stainless steel TC7 x 100mm, x 120mm, x 150mm and x 180mm

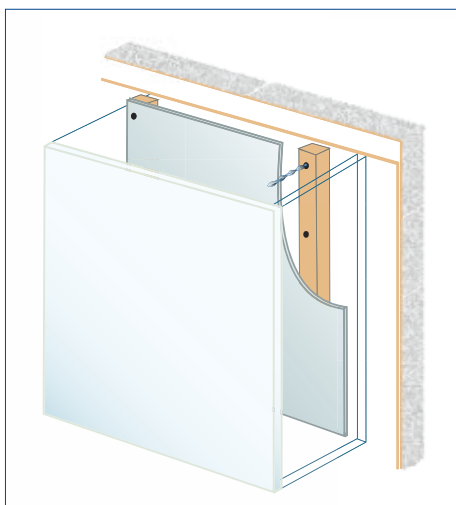
Stainless steel TC8 x 150mm, x 180mm, x 200mm, x 220mm and x 250mm

Benefits:

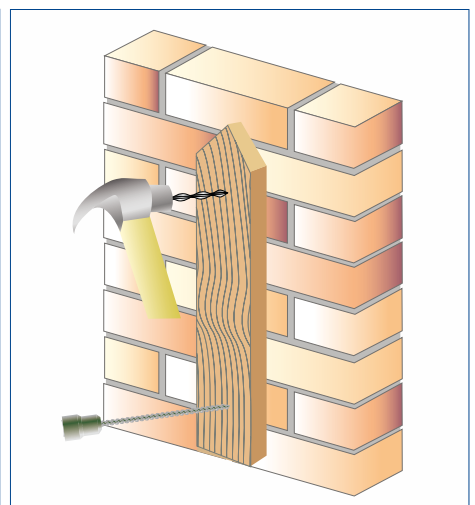
- ▢ Hammers like a nail
- ▢ Performance of a screw
- ▢ High performance, economical, and reliable
- ▢ Great strength and an excellent holding power
- ▢ Fast, easy, hammer or power-driven installation
- ▢ Self-tapping, stress-free connection
- ▢ No splitting of blocks or timber
- ▢ Fewer fixings required
- ▢ No wall plugs required



Fixing battens to blocks to support kitchen cupboards.



Fixing skirting, rails and trims to blocks through plasterboard or insulation.



Pre-drilling may be needed in brick. Contact CPSI for instructions.

CONSTRUCTION PRODUCTS SOLUTIONS INTERNATIONAL LTD.



Unit 3, Haslemere Industrial Estate, Pig Lane, Bishop's Stortford, Hertfordshire. CM23 3HG. United Kingdom.
Tel: +44(0)1279 505 514 - Fax: +44(0)1279 755190 - e mail: info@surecps-group.com - www.surecps-group.com
Company Reg. 6969591 VAT Reg. GB 824 4246 40



Please always wear the appropriate safety and protective clothing when installing fixing and anchor products. Always observe the necessary Health & Safety guidelines.

© All text copyright. Above information is given as guidance only and should always be verified by a suitable engineer.

The above information is given in good faith, and may be subject to alteration at any time without prior notification.